

4

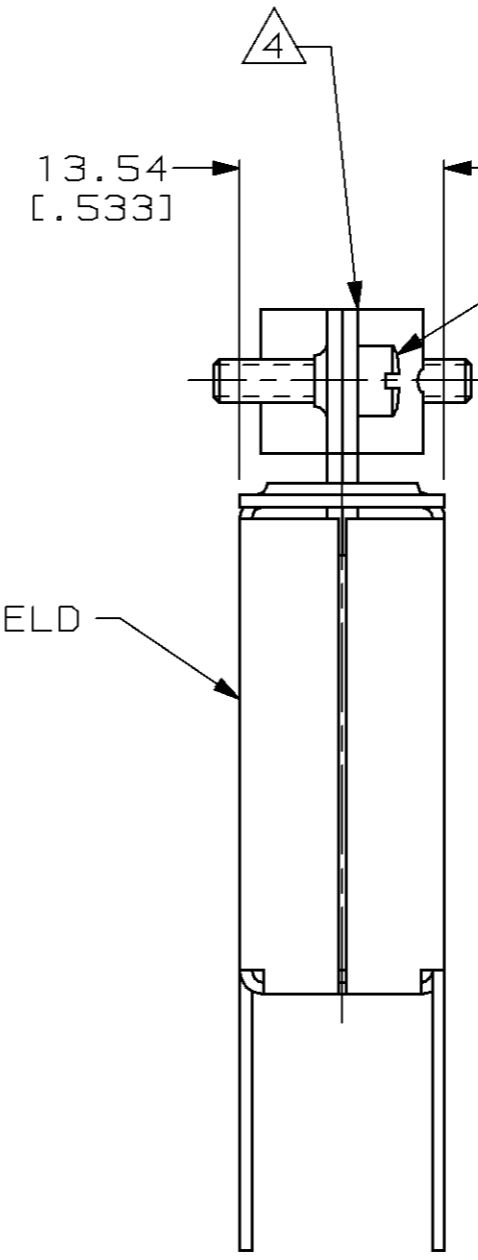
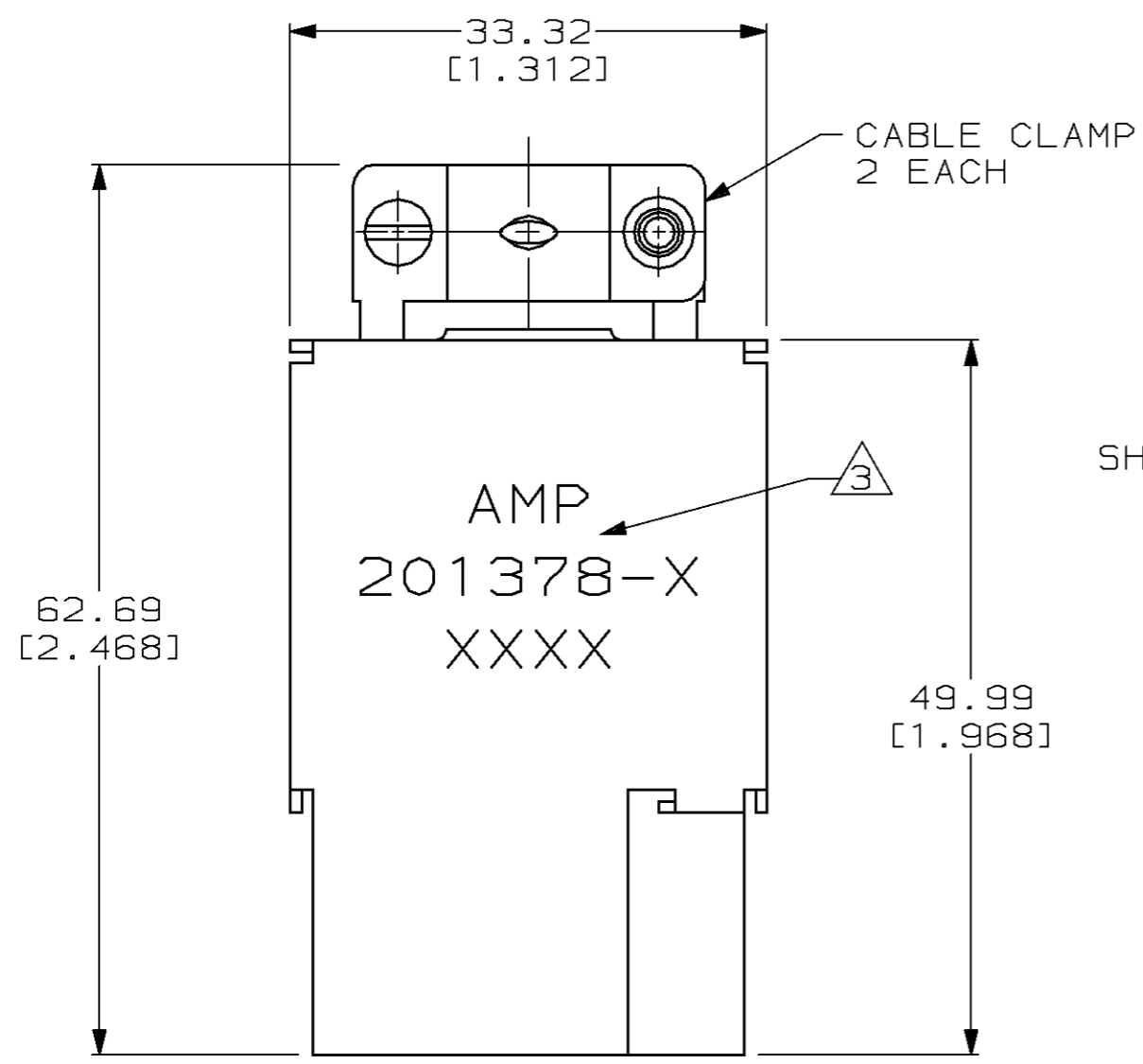
3

2

1

THIS DRAWING IS UNPUBLISHED. RELEASED FOR PUBLICATION ,19 .  
 © COPYRIGHT 19 BY AMP INCORPORATED. ALL RIGHTS RESERVED.

LOC	DIST	REVISIONS			
P	LTR	DESCRIPTION	DATE	DWN	APVD
BD	36				
		K	REDRAWN WITHOUT CHANGE PER EC 0020-929-95	28 SEP 95	-



#4-40 UNC-2A SCREW  
2 EACH

- 1 SHIELD, CABLE CLAMP, AND SCREWS: CARBON STEEL.
- 2 SHIELD AND CABLE CLAMP: NICKEL PLATED. SCREWS: ZINC PLATED.
- 3 STAMPED AMP, PART NUMBER, AND DATE CODE IN APPROXIMATE LOCATION SHOWN.
- 4 CLAMP AREA ACCEPTS 14 WIRES OF 1.78 [.070] MAX OUTSIDE DIAMETER.

201378-2  
PART NUMBER

THIS DRAWING IS A CONTROLLED DOCUMENT FOR AMP INCORPORATED. IT IS SUBJECT TO CHANGE AND THE CONTROLLING ENGINEERING ORGANIZATION SHOULD BE CONTACTED FOR THE LATEST REVISION.		DWN K.FOLTZ 28 SEP 95	<b>AMP</b> AMP Incorporated Harrisburg, PA 17105-3608												
DIMENSIONS: mm [INCHES]		CHK R.STONE 28 SEP 95													
TOLERANCES UNLESS OTHERWISE SPECIFIED:		APVD G.STEINHAUER 03 OCT 95	NAME SHIELD KIT, UNASSEMBLED, LONG, 14 PLACE, M SERIES												
<table border="0"> <tr><td>0 PLC</td><td>±-</td></tr> <tr><td>1 PLC</td><td>±-</td></tr> <tr><td>2 PLC</td><td>±0.38 [.015]</td></tr> <tr><td>3 PLC</td><td>±-</td></tr> <tr><td>4 PLC</td><td>±-</td></tr> <tr><td>ANGLES</td><td>±-</td></tr> </table>		0 PLC	±-	1 PLC	±-	2 PLC	±0.38 [.015]	3 PLC	±-	4 PLC	±-	ANGLES	±-	PRODUCT SPEC -	SIZE A3
0 PLC	±-														
1 PLC	±-														
2 PLC	±0.38 [.015]														
3 PLC	±-														
4 PLC	±-														
ANGLES	±-														
MATERIAL 1	FINISH 2	APPLICATION SPEC -	CAGE CODE 00779												
		WEIGHT -	DRAWING NO C-201378												
		CUSTOMER DRAWING	SCALE 2:1 SHEET 1 OF 1 REV K												